

INVERTED BUCKED STEAM TRAP FOR TRAP VALVE STATION UIB 20 - UIB 40

General Description

Very simple internal structure steam trap, all stainless steel, what makes it highly resistant to corrosion and water hammer. The steam trap valve controls the discontinuous condensate discharge, and also the evacuation of air and non-condensable gases through the vent hole; which also is used as the control steam outlet. The UIB 20 / UIB 40 steam trap must be installed in vertical position.

This steam trap is connected to the TVS by 360° universal connector. The universal connector ensures compatibility with any other standard manufacturer

Operation

The steam that comes into the inverted bucket pushes it up (vertical direction) producing the close of its valve. The inverted bucket has a hole on the top that allows steam flows to the upper chamber of the trap. This steam condenses because of heat transfer to the outside, what causes the arrival of condensate to the inverted bucket, reducing its buoyancy until the bucket sinks due to weight. This cycle is repeated continuously.

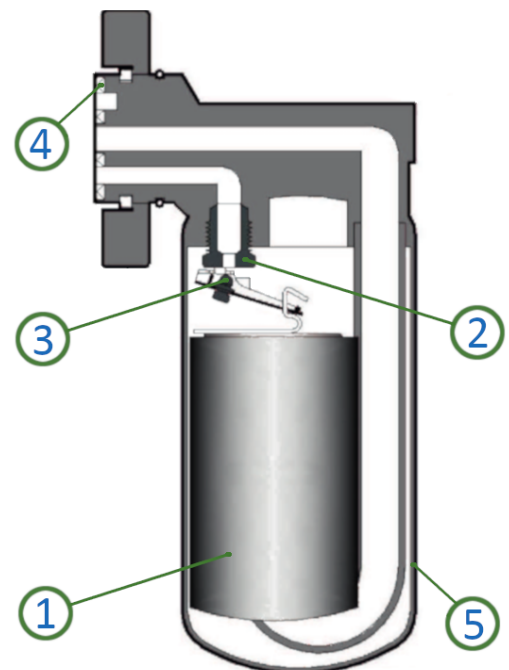
It should be noted that correct operation requires the generation of an hydraulic seal in the bottom of the bucket. This is not possible with superheated steam. The discharge of this type of steam trap always happens at saturation temperature.

Operating conditions

Max. operating pressure:	28 bar
Maximum temperature:	427 °C
Max. differ. pressure UIB 20:	14 bar
Max. differ. pressure UIB 40:	28 bar

Other characteristics

This trap is installed on Bitherm TVS which has external mechanism to locate the continuous and remote monitoring system, SmartWatchWeb, in order to detect anomalies during operation, such as: external or internal leakage, inlet or outlet pressure problems, ...

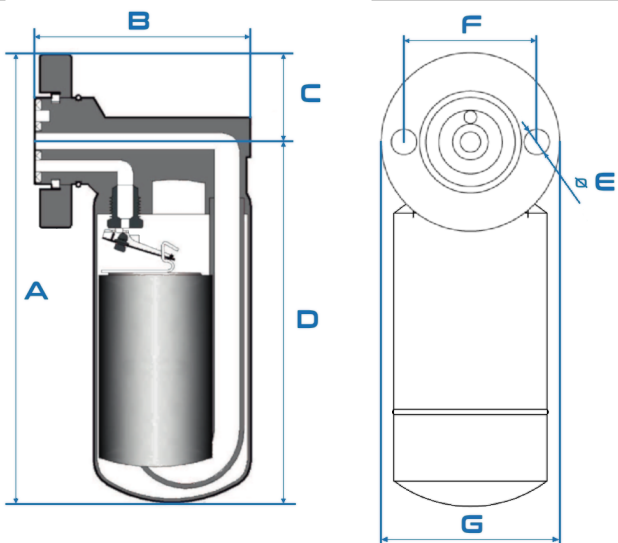


Materials

1 Inv. Bucket	S. steel AISI 304
2 Seat	S. steel AISI 420
3 Valve	S. steel AISI 440B
4 Gasket	Spiral wound
5 Body	S. steel AISI 304
6 Screws	ASTM A193 B7

STEAM TRAP UIB 20 -UIB 40

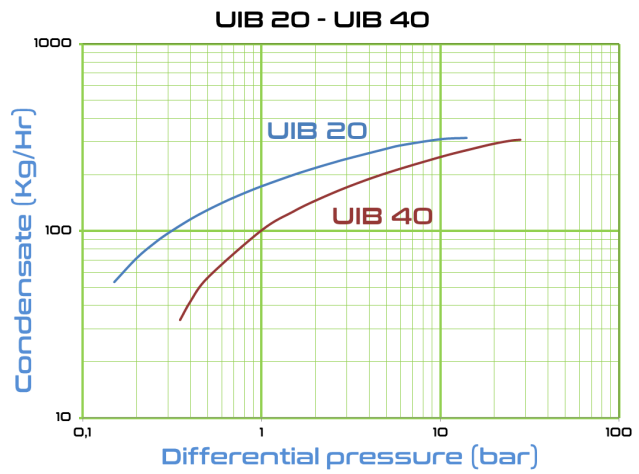
Dimensions



A (mm)	178
B (mm)	100
C (mm)	35
D (mm)	143
E (mm)	10
F (mm)	50
G (mm)	70

Minimum disassembly distance: 60mm.
Approximate weight (without screws): 1,15Kg

Capacity Curve



Capacity refer to continues service.
Cold water (Start-up) capacity will be 2.5 higher.

Connections

Universal connector to be assembled on the body of the trap valve station of any standard manufacturers, TVS.



Produced in accordance with Article 4.3 del PED - European Pressure Equipment Directive - PED 2014/68/EU.

Technical modification reserved. Copyright BiTherm 2018.

For more information please visit web www.bitherm.com or contact your Bitherm's distributor.