

CONDENSATE COLLECTION MANIFOLD CC-N

General Description

In large steam using industries, long distribution lines for steam and condensate service provide a constant source of maintenance hazards and energy wastage through numerous leakages.

BiTherm steam and condensate manifolds are designed to solve such long standing problems (vertical installation).

Fabricated headers to supply steam and collect condensate from cause a constant source of leakage. More over this also spoil the aesthetics of a well designed plant. What with continuous monetary losses due to energy wastage.

Main features

BiTherm steam and condensate manifolds are made from forged steel to suit various operating conditions. These are available in configurations of 4, 8 or 12 ways.

Forged design minimizes the welding requirements making it much easier to operate and maintain. Space-saving design is for vertical installation. A simple arrangement of threaded M16 connection at the back provides a better way of attaching these manifolds to structural supports.

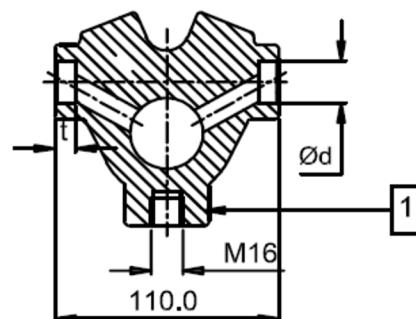
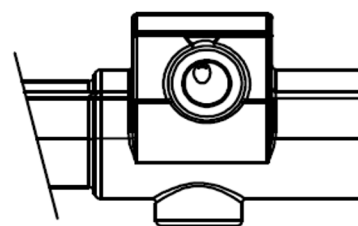
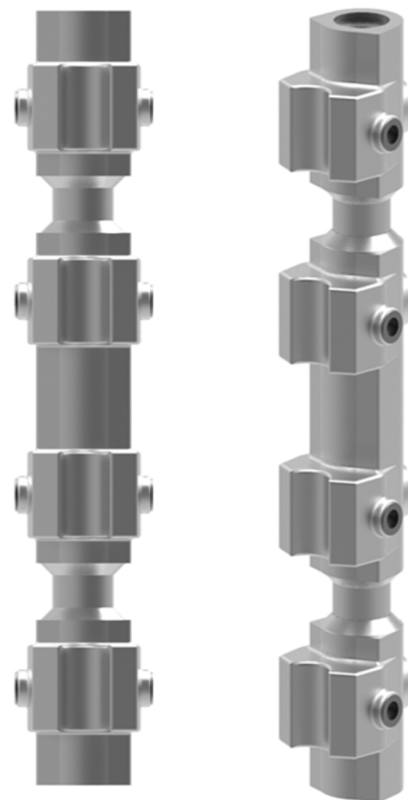
Body design conditions

ANSI Class 300 designed for a maximum cold hydraulic test pressure of 76 barg.

Size and pipe connections

Manifolds are available with 4, 8 or 12 connections. End connections flanged to ANSI class 150 or 300, socket to ANSI B16.11 class 3000.

The steam main / condensate return connection is 1 1/2". The tracer line and drain connections are available as 1/2" and 3/4".



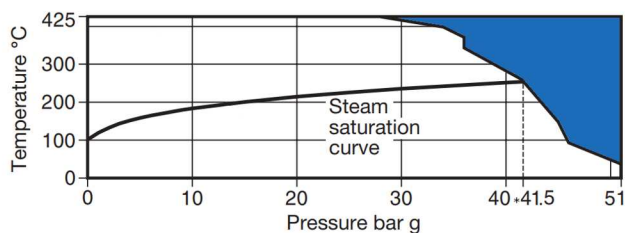
Materials

1 Body

ASTM A105

CONDENSATE MANIFOLD CC-N

Operating range



The product **must not** be used in this region.

*PMO maximum operating pressure for steam service. For flanged connections with in the operating as per flange specs.

Operation conditions

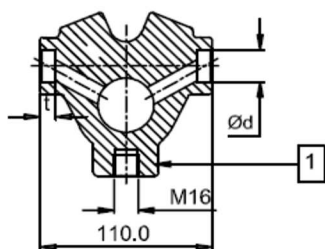
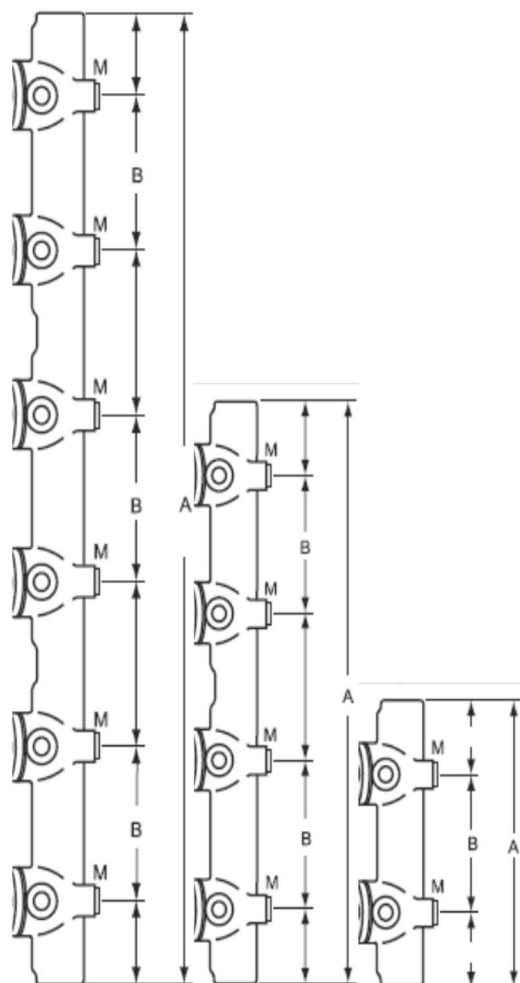
- Pressure : 51.1 Bar at Ambient Temperature.
- Temperature: 34.7 Bar at 400°C

Optional

Condensate collection manifolds can be supplied with:

- Trap assembly at the bottom.
- Trap, isolation valves at individual tracing lines.
- Manifolds with take-offs in multiples of four beyond 12.

Dimensions



	MANIFOLDS		
	4 way	8 way	12 way
L (mm)	320	640	960
A (mm)	160	160	160
B (mm)	80	80	80
CC Weight (Kg)	9	21	28

Dimension/weight (approximate)

Produced in accordance with European Pressure Equipment Directive - PED 2014/68/EU.

Technical modification reserved. Copyright BiTherm 2018.

For more information please visit web www.bitherm-sistemas.com or contact your Bitherm's distributor.